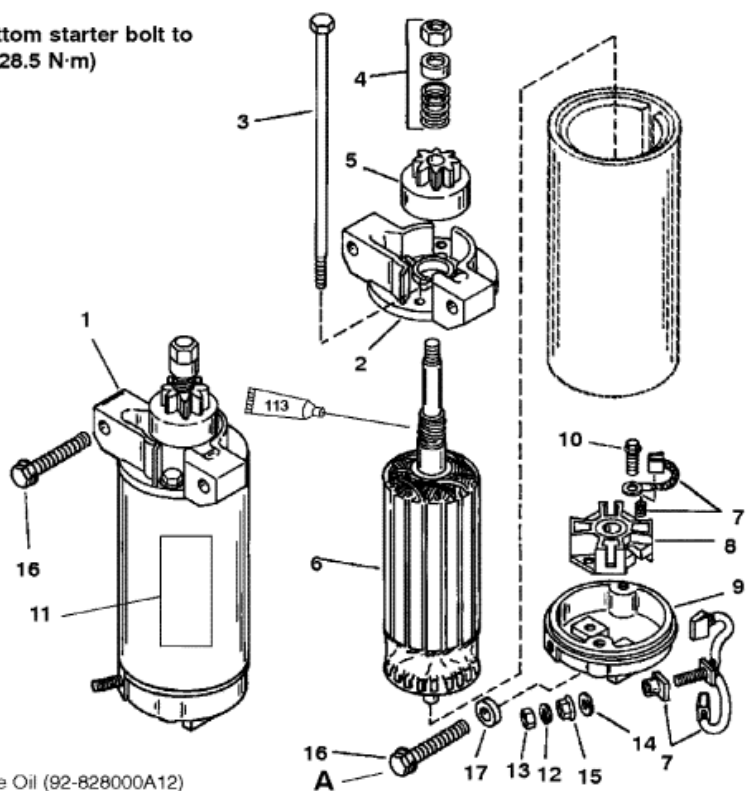


A – Torque bottom starter bolt to
 21.0 lb. ft. (28.5 N·m)



Parts List						
Ref	Class	Part	Description	Qty	Comment	Footnote
1	50	833153	5 STARTER MOTOR	1		
2		823639	2 DRIVE CAP	1		
3	10	823641	1 THRU BOLT	2		
4		823640	1 DRIVE KIT	1		1
5		86177	1 PINION	1		
6		823638	1 ARMATURE	1		
7		75384	1 BRUSH/SPRING KIT	1		
8		61787	1 BRUSH HOLDER	1		
9		811901	1 COMMUTATOR CAP	1		
10		F15158	2 SCREW	2		
11	37	827282	2 DECAL-WARNING-HIGH VOLTAG	1		
12	13	26992	1 LOCKWASHER	1		
13	11	94330	2 NUT (1/4-20)	2		
14	13	26992	2 LOCKWASHER	2		
15	11	20890	1 NUT (1/4-20)	1		
16	10	818934	50 SCREW (M8 X 40)	3		
17	23	824921	1 SPACER	1	(USE WHERE APPLICABLE)	